

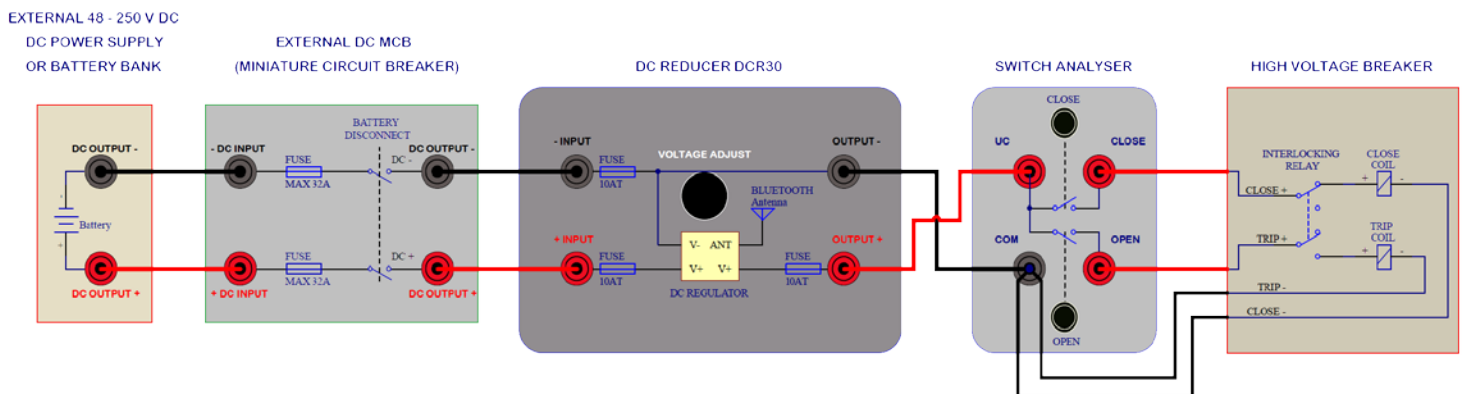
# DCR 30 DC Reducer

Smart tool for testing minimum trip voltage of trip coils



## General information

DCR30 is designed for functional test of close and trip coils on high voltage circuit breakers with reduced voltage and should be used in the switchyard along with a Switch Analyser. The input voltage is obtained from the existing DC voltage (Battery) in the switchyard. The output voltage of DCR30 should be connected to the Switch Analyser.



Optional Fuse box MCB Order No: S169

The output voltage can be adjusted in two ways;  
With the integrated digital voltage adjustment knob.  
With Bluetooth up to 100 meter distance via Elcon BTS11 V1.5.0.15 or later software.

## Specifications

INPUT:	EN61010-1 Cat 4 the 48-250VDC input voltage, up to 32A.
PROTECTION AGAINST WRONGFUL INSTALLATION:	Yes, with fuse.
REDUCED STARTING CURRENT:	Yes, $\leq 1\mu\text{F}$ input capacitor.
OUTPUT:	100% of the input voltage or adjustable 15VDC for input voltage minus 8V Full capacity at 30 - 85% and 100% of the input voltage
OUTPUT VOLTAGE RIPPLE:	< 3%
OUTPUT CURRENT:	< 30A intermittent at performance test on the trip coil. < 6mA continuously when setting the output voltage. The output is short circuit proof and current limited to < 40A.
OPERATION:	Intermittent. < 250ms, one or two pulses per > 15 seconds. < 5 pulses per minute. < 30 pulses per 8h. Triggering of power to the trip or close coil is made with Switch Analyzer. Triggering of current to trip or close coil occurs at the coil current > 0.5 A.
LOAD:	Inductive (TC).
REGENERATIVE ENERGY:	DCR30 is not intended to address the regenerative energy from the trip coil after a test pulse. Elcon Switch Analyzer feeds no energy back to DCR30.
OUTPUT:	< 3000 W intermittently at the performance test on the trip coil.
CONNECTIONS:	4 x 4mm Shockproof sockets 250V, CAT 4, 32A, Multi-Contact SLB4-G Input / output plus (+), 2 pc red 4mm socket. Input / output minus (-), 2 pcs black 4mm sockets. External connection for input, safety lab cord max 2x2, 5m 2.5 mm <sup>2</sup> External connection to output, safety lab cord max 2x2, 5m 2.5 mm <sup>2</sup>
COMMUNICATION:	Serial communication via Bluetooth ® version 2.1 module Support for version 2.1 + Enhanced Data Rate (EDR) Backward compliant with Bluetooth version 2.0, 1.2, and 1.1 Scope <100 meters (Line of sight) Baud rate 115.2 K baud Data size 8-bit Parity None Stop bits 1 Flow control None
TEMPERATURE RANGE:	- 20 ° - +45 ° Celsius ambient operating temperature. - 40 ° - +70 ° Celsius ambient temperature during storage.
MOISTURE:	Relative humidity (non-condensing): 0% - 97% during operation. 0% - 97% on storage.
HEIGHT:	< 2000m above sea level during operation. < 12000m above sea level in storage.
IP:	IP40
MECHANICS:	Size, L = 168mm(6,61 inch) ,W = 108mm(4,25inch), H = 83mm (3,27inch) (67mm(2,65inch) excluding knob) Weight 725g(1,6lbs) Color, Black DCR30 has no cooling fan.

## Accessories Included

2 pcs red instrument cable 2m  
2 pcs black instrument cable 2m  
1 pcs USB cable  
1 pcs Bluetooth 2.1 USB ADAPT  
Order No: S149-DCR

## Contact

Elcon International AB

Address: Hyttrisvägen 27, SE-770 14 Nyhammar, Sweden

Phone: +46-(0)240-64 11 10, Fax: +46-(0)240-64 13 19

E-mail: info@elcon.se, Web: www.elcon.se

## Distributor:

